

Model GF-3200 & GF-4200

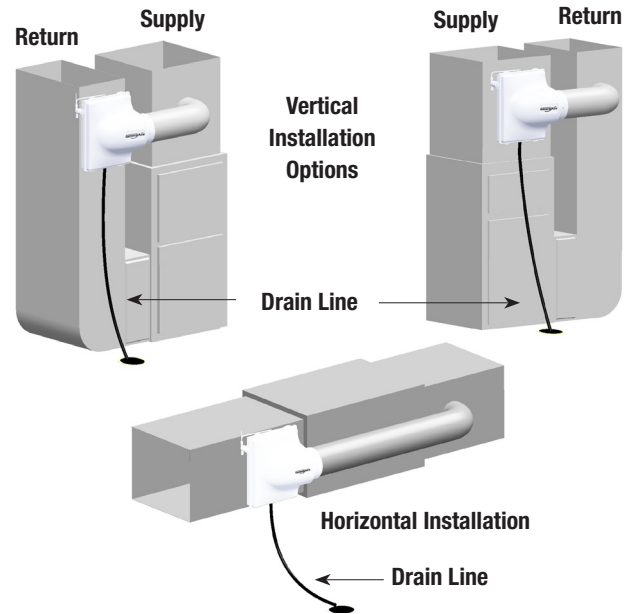
Evaporative Humidifiers

Installation Manual

Please Read And Save These Instructions



Plenum Installation Location: Models GF-3200 & GF-4200 humidifiers may be installed on either the return or supply plenum of a forced air handling system. The Humidifier bypass panel is reversible and can be mounted on the right or left side of the humidifier. Select a location for the humidifier that allows for service and maintenance.



Automatic Models GF-3200 or GF-4200 that include a digital, automatic humidistat are available by special order.



CAUTION!

This symbol and the word "CAUTION" indicates: **IMPORTANT INSTRUCTIONS!**



WARNING!

This symbol and the word "WARNING" indicates: **IMPORTANT INSTRUCTIONS!**

Failure to heed  **CAUTION!** or  **WARNING!** can result in serious injury or death.

Inside The Box

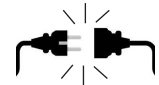
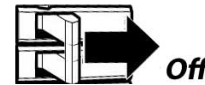
- GF-GA10 Vapor Pad® (For Model 3200) OR
- GF-GA35 Vapor Pad® (For Model 4200),
- Solenoid Valve Assembly, Saddle Valve, Code Valve
- Integral Bypass Damper
- GFMHX3 Manual Humidistat Standard (Automatic Humidistat Requires Special Order)
- 24V Transformer
- Hardware

Not Included (Contractor Supplied):

- 1/4" Diameter plastic supply tubing for cold water applications, or 1/4" copper supply tubing for hot water applications
- 6" Diameter rigid or flexible by-pass duct
- Electrical wire and wire nuts
- #8x1/2" Long self-piercing sheet metal screws or aluminum duct tape
- 24V Current sensing relay or Air Pressure Proving Switch



WARNING: DISCONNECT ELECTRICAL POWER BEFORE BEGINNING INSTALLATION.



IMPORTANT: To ensure your safety and the longevity of your unit, we recommend:

- Contacting a licensed contractor to perform maintenance or repairs.
- Changing your Vapor Pad® at the start of each heating season.



WARNING: Do not install where ambient temperatures fall below 32°F / 0° C or where plenum temperatures exceed 200° F / 93° C. For maximum evaporative capacity, install this humidifier on the warm air supply plenum.

Our Brands



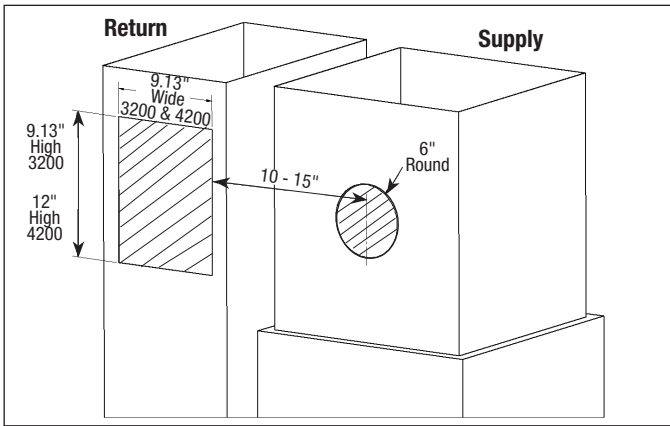
Last Updated: 05-2021



**Canadian General Filters
Limited**

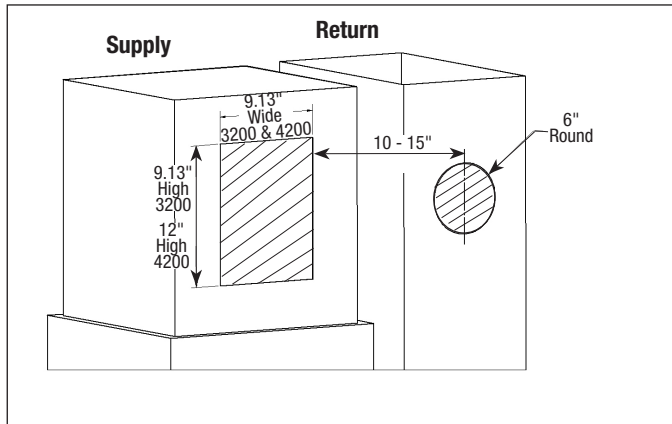
400 Midwest Rd.
Toronto, ON M1P 3A9
Canada
Toll Free: (888) 216-9184
www.generalaireaq.ca
sales@GeneralAireAQ.ca

INSTALLATION

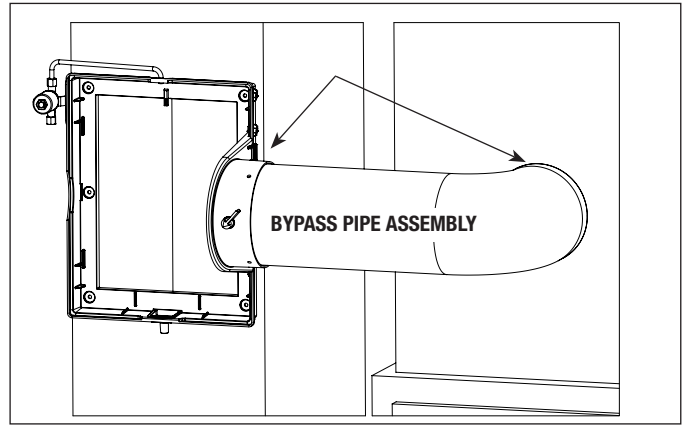


1 RETURN INSTALLATION: Cut a rectangular hole using the manufacturer-supplied template, and a second 6" round hole; 10" to 15" from side of the humidifier, near the cabinet horizontal centerline.

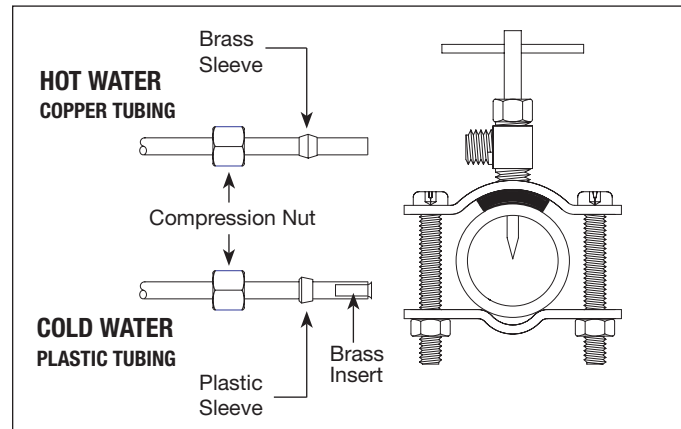
OR



1 SUPPLY INSTALLATION: Cut a rectangular hole using the manufacturer-supplied template and a second 6" round hole; 10" to 15" from side of the humidifier, near the cabinet horizontal centerline.



3 Install the by-pass pipe assy to the humidifier bypass panel and the furnace plenum.



4 Mount the self-tapping saddle valve on either a cold or a hot water pipe. A side or top mount is best to avoid clogging from pipe sediment. Connect 1/4" O.D. tubing to the saddle valve.

- Copper tubing requires a brass compression nut and brass sleeve.
- Plastic tubing requires a brass insert inside the tubing, a plastic sleeve on the outside with a brass compression nut.

OR

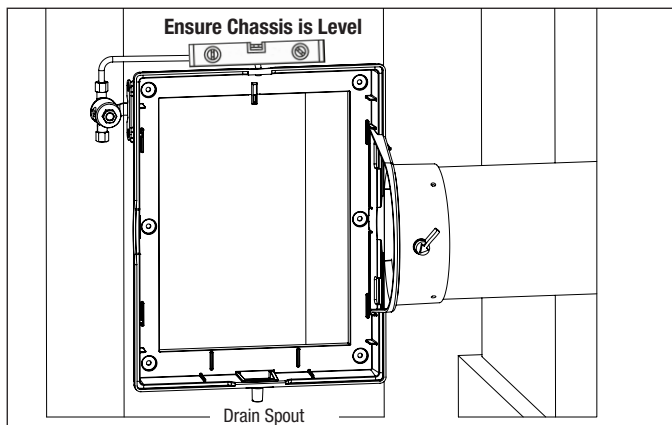
OPTIONAL:

GCV3412 Code Valve Installation Instructions* Copper Pipe:

- !** 1. **CAUTION:** Turn off water supply.
- 2. Clean pipe, fittings and valve with sandpaper or wire brush.
- 3. Apply a thin layer of flux to all surfaces to be soldered.
- 4. Assemble valve to pipe and/or fittings.

! **WARNING:** For your safety, the following should be performed by a licensed contractor only.

- 5. Option: To prevent damage to the code valve while soldering cool the valve by wrapping a wet rag around the body of the valve.
- 6. Heat the joints with a torch. Apply solder to each joint. Continue to apply heat sufficient to keep solder liquid.
- 7. After solder has filled the entire joint area, remove heat and allow the joint to cool. Do not move or disturb.
- 8. Slide compression nut over 1/4" copper tube followed by compression sleeve.
- 9. Insert tube into valve fully and tighten nut.



2 Install the humidifier chassis, making sure the bypass panel is aligned with the bypass duct and the drain spout is pointing downward as shown. Level the chassis and install the six mounting screws.

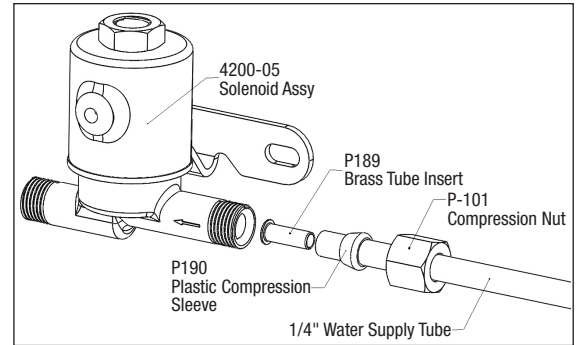
INSTALLATION

5 Connect 1/4" water supply tube to brass inlet of solenoid.

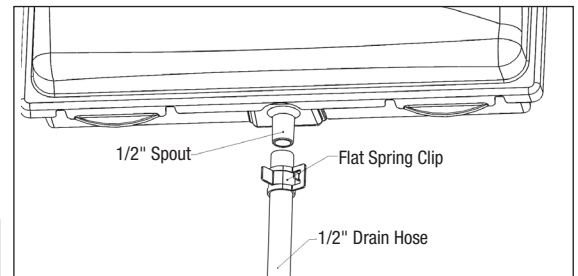
- Turn on water supply and check for leaks.

CAUTION: Do not use plastic tubing in contact with any hot plenum surface or duct.

Note: The standard stainless steel tube and orifice assembly (part number GF-4200-21) will supply approximately 3.5 GPH of water at a line water pressure of 60 PSI.

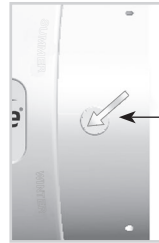


6 Connect the 1/2" ID drain hose to the spout on the humidifier cabinet using the provided flat spring clip. Run the drain hose to a suitable drain such as floor drain, laundry sink or to a condensate pump (sold separately). Be sure the hose has continuous slope and is not kinked at any point.



7 Test the Operation of the Unit

- Turn the damper knob to the WINTER position.
- Turn on the water supply.
- Turn the humidistat ON (towards the left).
- The solenoid valve should be closed when not energized.
- Once the solenoid is energized the valve should open.
- Check flow of water through distributor trough and evaporator pad.

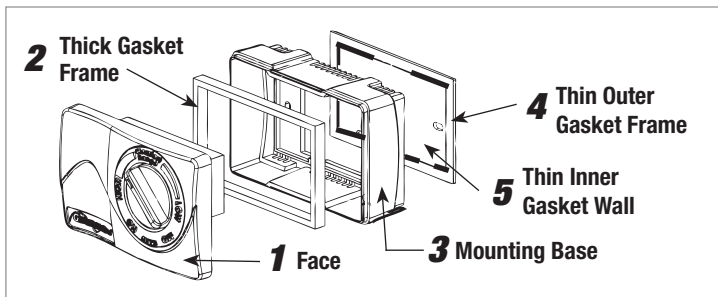


Damper Knob Pointing at "WINTER"

8 Install the (Duct Or Wall Mount) Manual Humidistat

WARNING: ALL WIRING SHOULD COMPLY WITH LOCAL ELECTRICAL CODES.

*Complete installation instructions for the (manual or automatic) humidistat can be found inside the humidistat package.



DUCT MOUNT

Use Parts:

- 1
- 2
- 3
- 4

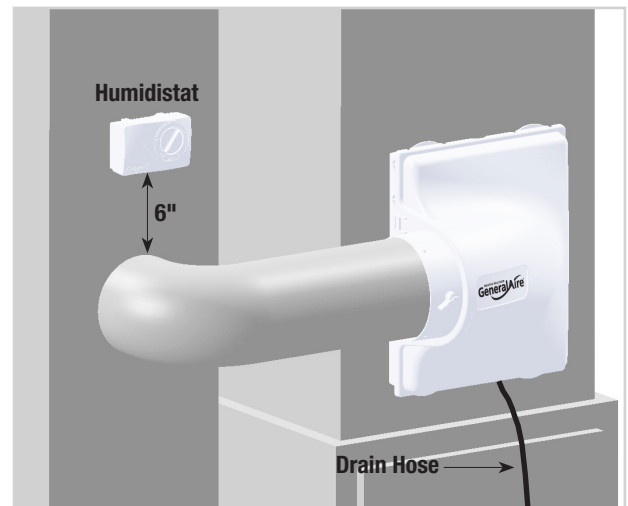
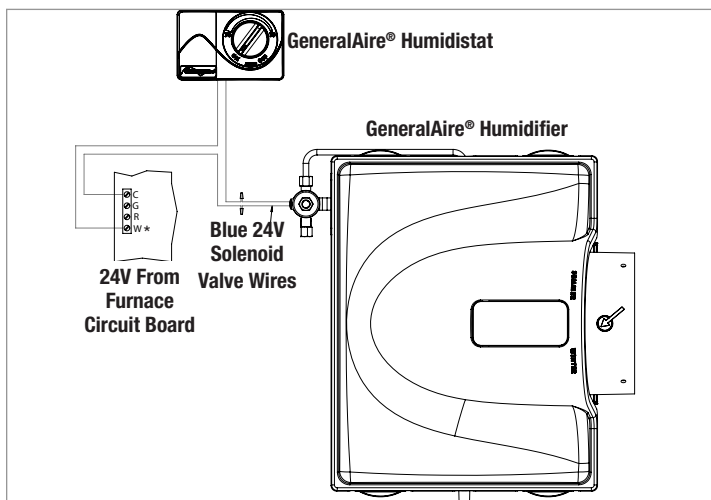
WALL MOUNT

Use Parts:

- 1
- 3
- 4
- 5



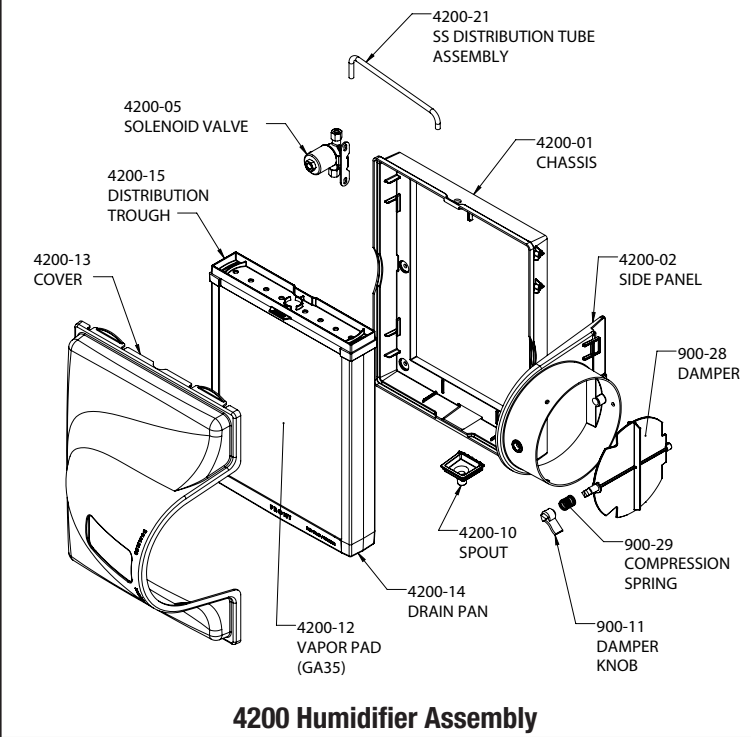
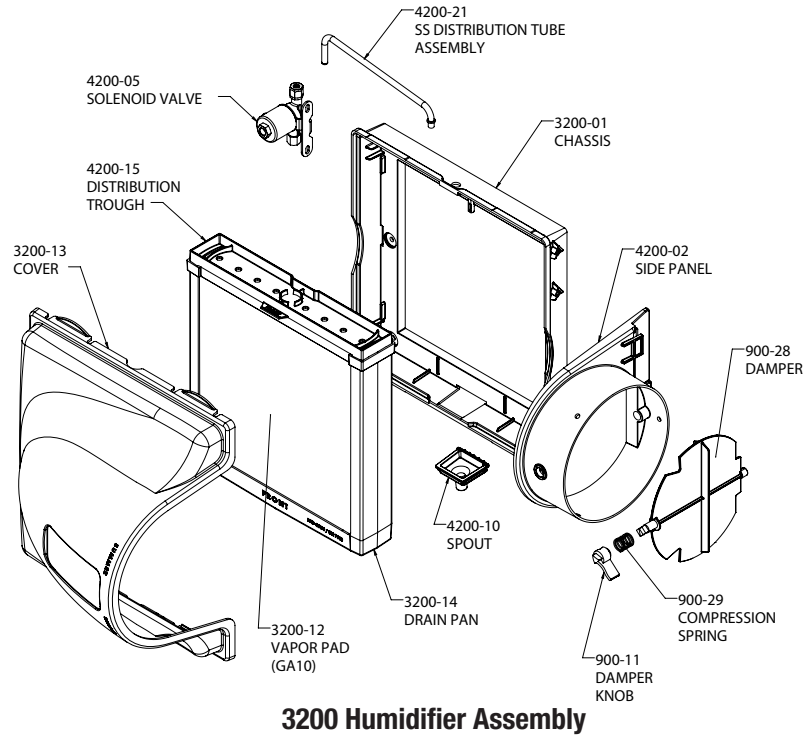
MHX3C Humidistat Installation



* W Terminal:

- Some control boards may have a dedicated 24v HUM terminal (confirm with manufacturer literature before installing)
- If 120v HUM terminal is used, please use 24VAC transformer provided

ASSEMBLIES



HOMEOWNERS



Your new humidifier carries a 5-year limited warranty. For our complete warranty policy visit www.GeneralAireIAQ.ca



Register your new GeneralAire® product online. Scan the QR code at left or visit www.GeneralAireIAQ.ca

Visit www.GeneralAireIAQ.ca for annual maintenance, humidifier support documents, FAQ's, trouble shooting questions, replacement parts list, and more.



Replace your Vapor Pad® at the beginning of each heating season.

- Model GF-3200 = GF-GA10
- Model GF-4200 = GF-GA35