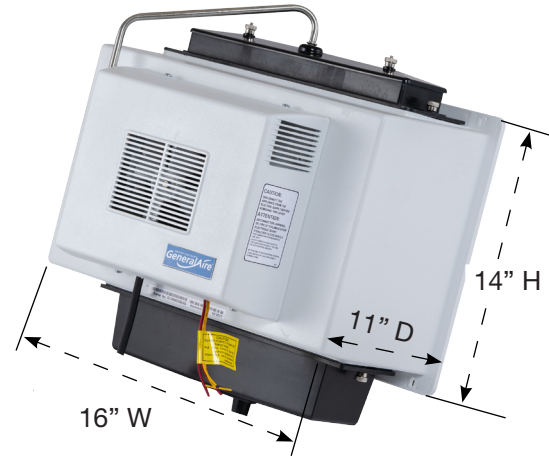


## Spec Sheet

GF-1137L	
Type	Fan Powered Flow-Through Humidifier
GPD (Based on 120° Plenum Temperature)	18
Dimensions (Inches)	14 H x 16 W x 11 D
Weight (Pounds)	19
Replacement Vapor Pad®	GF-990:13 (Replace 1-2 Times Per Season)
Home Size (Sq. Ft.)	To 3,000
Installation	Warm Air / Return Air Plenum
Plenum Opening (Inches)	15 W X 9.75 H
Bypass Opening (Inches)	6
Pallet Quantity	21
Cabinet Construction	UV-Stable Automotive Grade Plastic
Humidistat	GF-MHX3
Voltage (Volts)	120
Warranty (Years)	5
In The Box	Humidifier, humidistat, Installation Instructions, Vapor Pad®, Parts Kit, Water Tube Kit, Humidistat Wire, Drain Pan, Power Supply Cord, Water Distribution Trough.



GF-MHX3C  
 Manual Humidistat  
 Included With Models

## Accessories



GFX4  
 Automatic Humidistat Controls  
 the Furnace Blower Motor



1137-17  
 Solenoid Valve  
 GFI #7341

**GeneralAire® Models GF-1137L**  
 Fan Powered Flow Through Humidifier

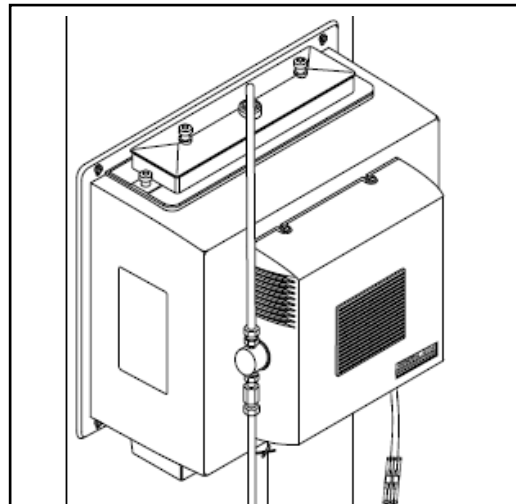
**Spec Sheet**

**Model GF-1137L Features**

- Fan-powered model delivers 18 GPD
- For home sizes up to 3,000 sq. ft.
- Includes GF-MHX3 manual control humidistat
- UV-stable automotive-grade plastic
- Shut-off damper for summer months

**Installation**

Vertical installation on a warm-air plenum



Use Plastic Tubing for Cold Water Supply

Use Copper Tubing for Hot Water Supply

**Installs Quickly & Easily**

**Maintenance:**

Change your Vapor Pad® at least once per year.

**Product Support:**

- Installation Manual
- Home Owner Brochure
- Maintenance Video
- www.generalfilters.com
- Tech Support (888) 216-9184

**Recommended Settings:**

At Outside Temperature		Recommended Setting
-20°F	-29°C	15%
-10°F	-23°C	20%
0°F	-18°C	25%
10°F	-12°C	30%
20°F	-7°C	35%
30°F	-1°C	40%



GF-990:13