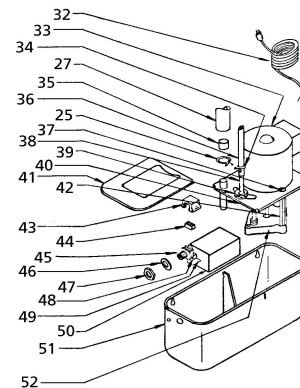
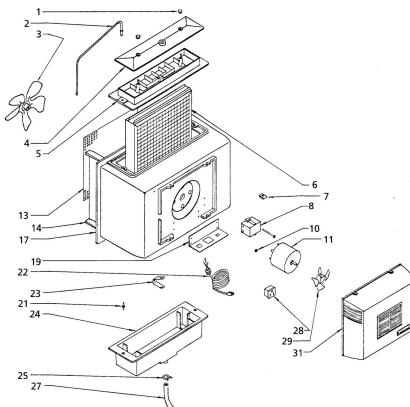
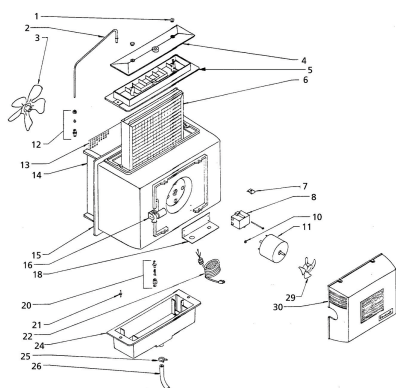


Legacy Model: 1137L



Humidifier Replacement Parts

	Qty. Req'd	GFI #	Part Description
1	6	7043	1099 - 9 Thumb Nut
2	1	7330	1137 - 24 Distributor Tube
3	1	7331	1137 - 9 Fan Blade
4	1	7332	1137 - 35 Trough Cover Assembly
5	1	7333	1137 - 4 Distributor Trough
6	1	7002	990 - 13 Evaporator Pad 9 3/4" W x 11 3/4" H
7	8	7140	40 - 7 Speed Nut
8	1	7586	GA4238 Relay Circuit Board
10	4	7336	1137 - 44 Fan Motor Grommet
11	1	7337	1137 - 8 Fan Motor
12	1	7158	P103, 104, 111 Connector & Fittings
13	1	7338	1137 - 20 Fan Guard
14	1	7339	1137 - 2 Fan Shroud
15	1	7340	1137 - 38 Cabinet Assembly, 1137
16	1	7341	1137 - 17 Solenoid Valve 120V for Model 1137 July 2006 and Older.*
16	1	7014	990 - 53 Solenoid Valve 24V
17	1	7342	1137 - 37 Cabinet Assembly, 1137 - R
18	1	7343	1137 - 7 Wiring Bracket
19	1	7344	1137 - 7R Wiring Bracket
20	1	7008	990 - 37 - 76 Orifice and Strainer Assembly (Std. Water Pressure 40 - 120 PSI)
	1	7009	990 - 37 - 75 Orifice and Strainer Assembly (Low Water Pressure 20 - 40 PSI)
21	4	7345	1137 - 15 Mounting Stud
22	1	7346	1137 - 31 Power Supply Cord
23	1	6016	975 - 35 Distributor Tube Bracket
24	1	7347	1137 - 3 Drain Pan for 1137 & 1042 Humidifiers
25	1	7162	P163 Hose Clamp
26	1	7046	1099 - 16 Drain Tube (15' of 5/8" I.D.)
27	1	7348	1137 - 48 Drain Tube (2 - 1/2' of 5/8" I.D.)
28	1	7349	1137 - 18 Outlet Assembly
29	1	7350	1137 - 50 Cooling Fan
30	1	7351	1137 - 39 Front Cover Assembly, 1137
31	1	7352	1137 - 43 Front Cover Assembly, 1137 - R
	1	7327	1137 - 75 Pump, Motor & Lid Assembly
32	1	7353	1137 - 21 Pump Motor Assembly

	Qty. Req'd	GFI #	Part Description
	1	7354	1137 - 32 Power Supply Cord
33	1	6015	975 - 33 Pump Motor
34	2	6034	P115 Hose Clamp (for 975 - 34)
35	1	7055	1099 - 43 Drain Tube Adapter
36	1	6019	975 - 34 Water Supply Tubing (4' of 5/16" I.D. R Model Only)
37	3	6033	P120 Motor Mount Grommet
38	1	6014	975 - 29 Standpipe
39	1	6035	P116 Standpipe Nut
40	1	6010	975 - 16 R.H. Lid Assembly
41	1	7355	1137 - 40 L.H. Lid Assembly
42	3	6017	975 - 41 Pump Mounting Stud
	1	6007	975 - 10 Float Valve Assembly
43	1	6005	975 - 6 Valve Shield
44	1	6004	975 - 1 Valve Seat
45	1	7122	727 - 24 Orifice Fitting
46	1	6036	P117 Orifice Washer
47	1	6001	975 - 3 Orifice Nut
48	1	6026	P118 Cotter Pin
49	1	7121	727 - 34 Float Arm
50	1	7119	727 - 32 Float Block
51	1	6008	975 - 48 Reservoir and Baffle Assembly
	1	6020	975 - 12 Reservoir Baffle
52	1	6011	975 - 17 Pump Housing - Bottom
	1	6012	975 - 18 Pump Housing - Top
	1	6013	975 - 49 Impeller & Screw
Parts Not Shown			
	1	8022	800-UST Self - Tapping Saddle Valve Kit
	1	7038	MHX3C Manual Control, Wall / Duct Mount Humidistat
	1	7053	WMH3 Wall Mount Housing
	1	7328	1137 - 23 Parts Bag
	1	7127	727 - 48 Lead Wire Assembly (10' of Low Voltage Wire w/Terminals)
	1	8035	8035 Humidex Tablets

*In August 2006 1137's began using the more common 990 - 53, 24 - volt solenoid valve. Check side nameplate for build date or solenoid valve for voltage.

*NLA = No Longer Available