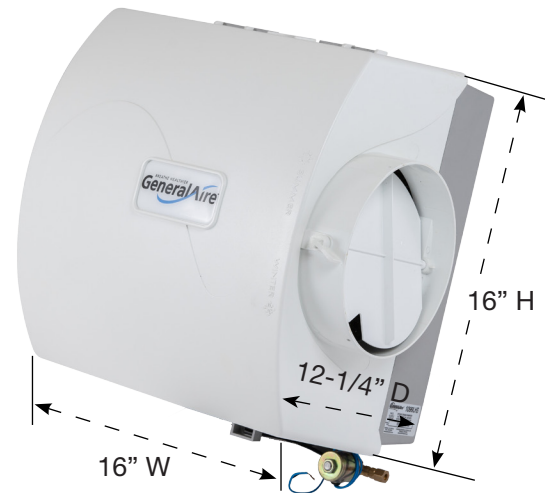


Spec Sheet

GF-1099LHS	
Type	Flow-Through Humidifier
GPD (Based on 120° Plenum Temperature)	19
Dimensions (Inches)	16 H x 16 W x 12-1/4 D
Weight (Pounds)	15
Replacement Vapor Pad®	GF-GA23 (Replace 1-2 Times Per Season)
Home Size (Sq. Ft.)	To 3,000
Installation	Warm Air Plenum / Right of Left Side
Plenum Opening (Inches)	14-1/8 W X 12 H
Bypass Opening (Inches)	7
Pallet Quantity	16
Cabinet Construction	UV-Stable Automotive Grade Plastic
Humidistat	GF-MHX3 (Included with GF-1099LHS)
Optional Humidistat	GF-X3 (Included with GF-1099LHD)
Voltage (Volts)	24
Warranty (Years)	5
In The Box	Humidifier, humidistat, Installation Instructions, Vapor Pad®, Parts Kit, Saddle Valve, 7" Connecting Collar, 24V Transformer.



GF-MHX3 Manual Humidistat
Included with model GF-1099LHS



GF-X3 Digital Humidistat
Included With Model GF-1099LHD

Accessories



GF-MHX3C Manual Humidistat
Included With Model

Our Brands



Last Updated: 06-2021



Canadian General Filters Limited

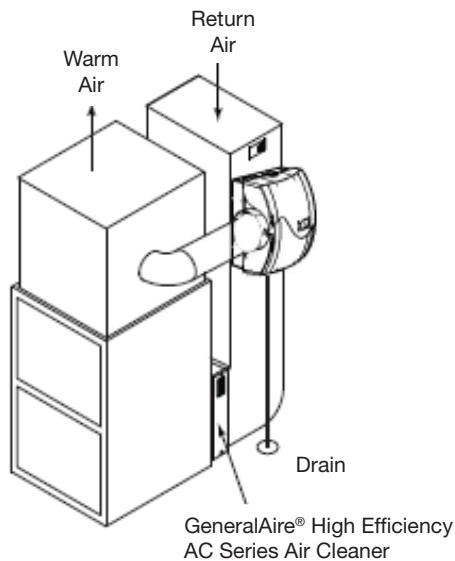
400 Midwest Rd.
Toronto, ON M1P 3A9
Canada
Toll Free: (888) 216-9184
www.generalaireriq.ca
sales@GeneralAireIAQ.ca

Spec Sheet

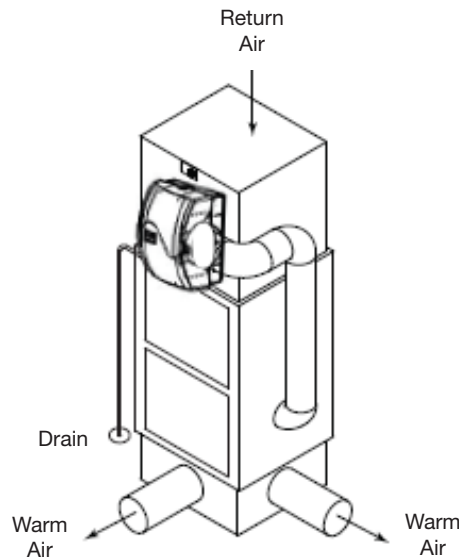
Model GF-1099LHS Features:

- Delivers up to 19 GPD
- Accommodates up to 3000 square feet
- Cover is UV stable
- GF-MHX3 manual control humidistat is included

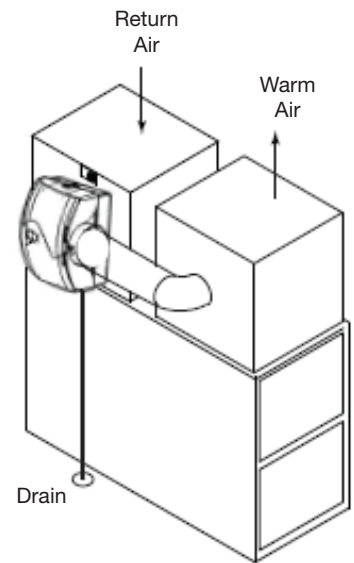
Installation



High Boy



Counter Flow



Low Boy

Installs Quickly & Easily

Maintenance:

Change your Vapor Pad® at least once per year

Product Support:

- Installation Manual
- Home Owner Brochure
- Maintenance Video
- www.GeneralAireIAQ.ca
- Tech Support (888) 216-9184



GF-GA23

Our Brands



Last Updated: 06-2021



Canadian General Filters
 Limited

400 Midwest Rd.
 Toronto, ON M1P 3A9
 Canada
 Toll Free: (888) 216-9184
www.generalaireriaq.ca
sales@GeneralAireIAQ.ca